

## 8210UN11Bo

ORIENTABLE EXTENSION - From 0° to 90°

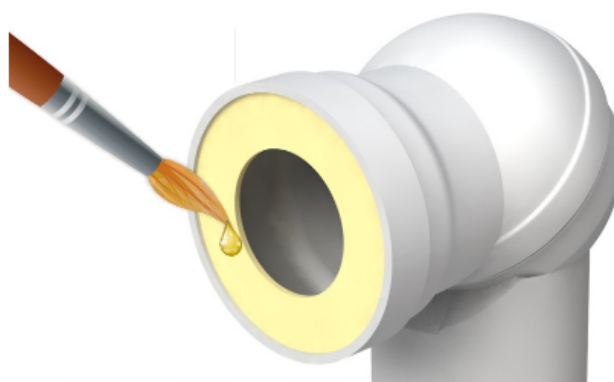
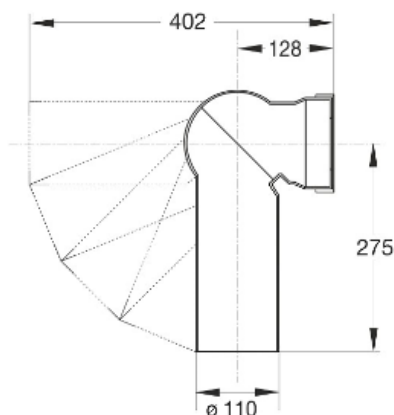
Orientable extension pipe for W.C. Bowl

### Technical data sheet

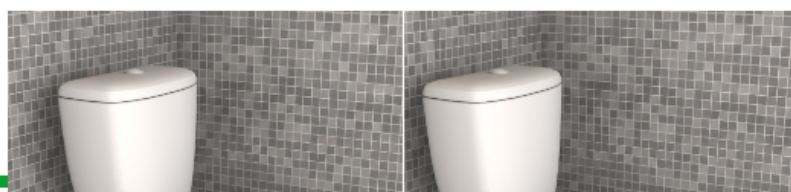
|                      |  |
|----------------------|--|
| Specific description | F $\varnothing$ 80 - 110 mm / M $\varnothing$ 110 mm |
| Material             | POLYPROPYLENE PP + TPE                               |
| Color                | WHITE + YELLOW                                       |
| Application          | For hanged or traditional WC                         |

### Logistics information

|                                 |               |
|---------------------------------|---------------|
| Product weight (kg)             | 0,505         |
| Quantity in carton              | 20            |
| Carton Size (cm)                | 63,5x42x60    |
| Carton Volume (m <sup>3</sup> ) | 0,160         |
| Quantity on a pallet            | 340           |
| EAN13                           | 8030575023762 |



LUBRIFICARE / LUBRICATE





La Bonomini srl si riserva il diritto di modifica senza preavviso. Ogni riproduzione, anche parziale, è severamente vietata.

*The company Bonomini srl reserves the right to make modifications without prior notice. Any reproduction, even partial, is strictly prohibited.*